

Model VL

1/2 through 20 Ton Rated Lift Capacities

Features:

Lifts from Horizontal to Vertical - 180° arc

- Turn a single steel plate from horizontal to vertical to horizontal through a 180° arc.

Locks Open and Closed

- Locks open to facilitate loading and unloading clamp and protects grippers from damage.
- Locks closed onto material for a more secure lift.

Remote Release Lock Handle

- By attaching a tag line to the lock handle, the operator is able to lock open the clamp from a distance when the load is at rest and secured.
- **Also available:** Double Remote Locking Handle that also allows the operator to lock the clamp closed when loading the clamp from a distance using a second tag line.

3 Point Grip System

- Unique design has 2 upper grippers and 1 lower gripper on our 2 ton and larger capacities - provides for more stability and longer gripper life.

NEW! Rated to lift material with a surface hardness up to 450 Brinell

Wide Jaw Openings - 2 to 3 times larger than other brands

- Lower up front clamp cost, more diverse lifts, and less operator change out time.

Special Jaw Openings Available

- Fit the jaw opening to your material thickness range.
- Extend the grippers out for clearance.
- Shape the jaw opening to accommodate your lift.

Working Parts Enclosed

- Working parts remain inside the body when the clamp is locked closed and when the clamp is locked open.
- Protects parts from damage when rolling material over and when the clamp is stored.

Available with Auxiliary Push-button Lock Handle

- Requires the operator to utilize a push-button release before moving the lock handle from the lock closed position to the lock open position.
- Remote release **not** available with this model.

Available with Stainless Serrated Grippers to prevent material contamination



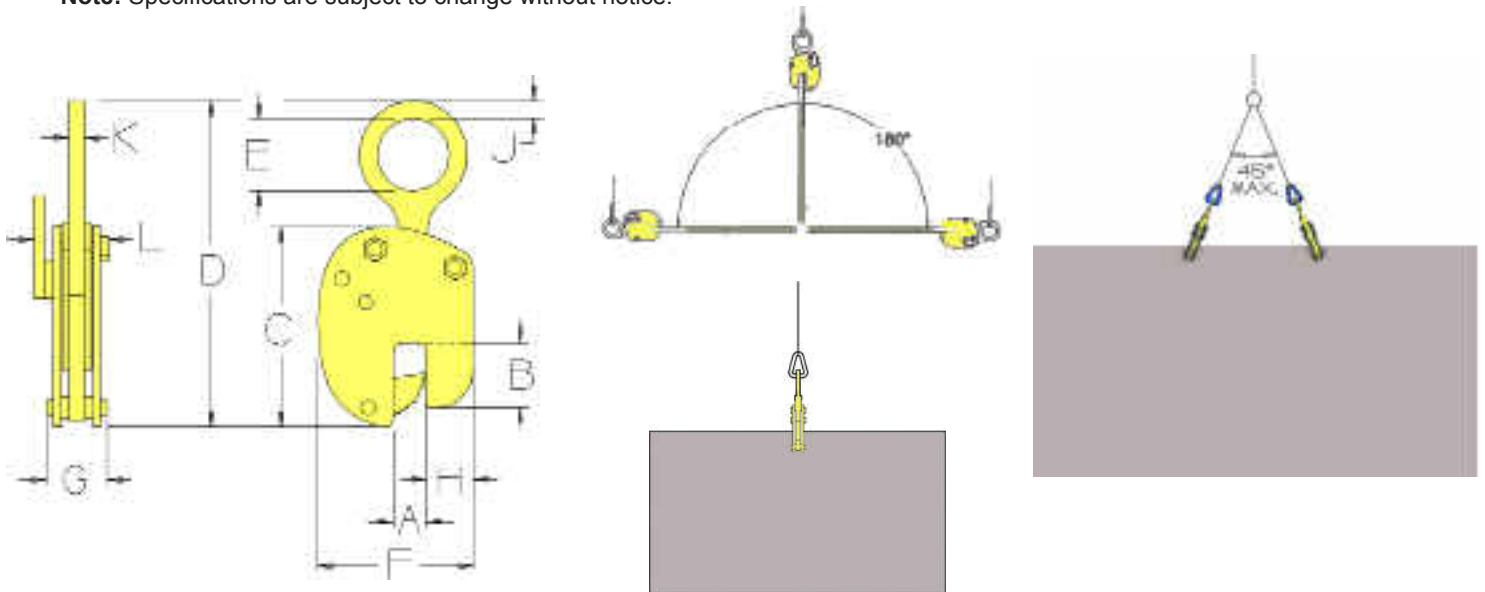
VL with optional
Auxiliary Push-Button Handle



	1/2 & 1 Ton AVL	1/2 & 1 Ton VL	2 & 3 Ton VL		4 & 6 Ton VL			8 & 10 Ton VL		
A	0 - 7/8"	0 - 1 3/8"	0 - 1 5/8"	1 1/2 - 2 3/4"	0 - 2 1/8"	2 - 3 3/4"	3 3/4 - 5 1/2"	0 - 2 5/8"	2 1/2 - 4 1/2"	4 1/2 - 6 1/2"
B	2 3/4"	2 3/4"	4 1/8"	4 1/8"	4 5/8"	4 5/8"	4 5/8"	5 3/8"	5 3/8"	5 3/8"
C	7"	7"	9 1/8"	9 1/8"	11 5/8"	11 5/8"	11 5/8"	13 1/4"	13 1/4"	13 1/4"
D MAX	11 1/2"	11 1/2"	15 1/4"	15 1/4"	19"	19"	19"	22 1/4"	22 1/4"	22 1/4"
E	2 1/4"	2 1/4"	3"	3"	3 1/2"	3 1/2"	3 1/2"	4"	4"	4"
F	5 5/8"	5 7/8"	8 3/8"	9 1/2"	10"	11 5/8"	13 1/2"	11 1/8"	13"	15 1/8"
G	2 1/2"	2 1/2"	3 3/8"	3 3/8"	4 1/4"	4 1/4"	4 1/4"	5"	5"	5"
H	1 3/4"	1 3/4"	2 1/2"	2 1/2"	2 3/4"	2 3/4"	2 3/4"	3 5/8"	3 5/8"	3 5/8"
J	1/2"	1/2"	3/4"	3/4"	1"	1"	1"	1 1/8"	1 1/8"	1 1/8"
K	1/2"	1/2"	5/8"	5/8"	3/4"	3/4"	3/4"	1"	1"	1"
L	3"	3"	4"	4"	5"	5"	5"	5 5/8"	5 5/8"	5 5/8"
WT	1/2T/9 lbs. 1T/10 lbs.	1/2T/9 lbs. 1T/10 lbs.	2T/22 lbs. 3T/24 lbs.	2T/23 lbs. 3T/26 lbs.	4T/42 lbs. 6T/45 lbs.	4T/44 lbs. 6T/47 lbs.	4T/46 lbs. 6T/49 lbs.	8T/65 lbs. 10T/71 lbs.	8T/67 lbs. 10T/74 lbs.	8T/69 lbs. 10T/77 lbs.

	12 Ton VL			16 Ton VL			20 Ton VL		
A	1/2 - 3 1/8"	3 - 5 1/4"	5 - 7 1/4"	1/2 - 3 1/2"	3 1/4 - 5 3/4"	5 1/2 - 8"	1/2 - 4 1/4"	4 - 7"	7 - 10"
B	6 1/4"	6 1/4"	6 1/4"	8 3/8"	8 3/8"	8 3/8"	8 3/8"	8 3/8"	8 3/8"
C	16 3/8"	16 3/8"	16 3/8"	21 1/2"	21 1/2"	21 1/2"	21 1/2"	21 1/2"	21 1/2"
D MAX	25 3/8"	25 3/8"	25 3/8"	33 1/4"	33 1/4"	33 1/4"	34 3/8"	34 3/8"	34 3/8"
E	4"	4"	4"	5 5/8"	5 5/8"	5 5/8"	5 5/8"	5 5/8"	5 5/8"
F	12 1/2"	14 5/8"	16 5/8"	18 1/2"	20 7/8"	23"	19"	21 3/4"	24 3/4"
G	6"	6"	6"	7"	7"	7"	6 1/8"	6 1/8"	6 1/8"
H	3 3/8"	3 3/8"	3 3/8"	5 1/8"	5 1/8"	5 1/8"	5 1/8"	5 1/8"	5 1/8"
J	1 5/8"	1 5/8"	1 5/8"	2"	2"	2"	2"	2"	2"
K	1"	1"	1"	1 1/2"	1 1/2"	1 1/2"	1 1/2"	1 1/2"	1 1/2"
L	7 1/8"	7 1/8"	7 1/8"	8 5/8"	8 5/8"	8 5/8"	8 5/8"	8 5/8"	8 5/8"
WT	112 lbs.	116 lbs.	120 lbs.	276 lbs.	290 lbs.	302 lbs.	292 lbs.	304 lbs.	316 lbs.

Note: Specifications are subject to change without notice.



Model VL with Universal Shackle

1/2 through 20 Ton Rated Lift Capacities

Features:

The Model VL with a Universal Lifting Shackle

- Allows for side loading of the lifting shackle up to 90°.
- Rated lift capacity lowers as the angle of the pull increases (refer to Figure A).

Lifts from Horizontal to Vertical - 180° arc

- Turn a single steel plate from horizontal to vertical to horizontal through a 180° arc.

Locks Open and Closed

- Locks open to facilitate loading and unloading clamp and protects grippers from damage.
- Locks closed onto material for a more secure lift.

Remote Release Lock Handle

- By attaching a tag line to the lock handle, the operator is able to lock open the clamp from a distance when the load is at rest and secured.

3 Point Grip System

- Unique design has 2 upper grippers and 1 lower gripper on our 2 ton and larger capacities - provides for more stability and longer gripper life.

NEW! Rated to lift material with a surface hardness up to 450 Brinell

Wide Jaw Openings - 2 to 3 times larger than other brands

- Lower up front clamp cost, more diverse lifts, and less operator change out time.

Special Jaw Openings Available

- Fit the jaw opening to your material thickness range.
- Extend the grippers out for clearance.
- Shape the jaw opening to accommodate your lift.

Working Parts Enclosed

- Working parts remain inside the body when the clamp is locked closed and when the clamp is locked open.
- Protects parts from damage when rolling material over and when the clamp is stored.

Available with Stainless Serrated Grippers to prevent material contamination

Available with Auxiliary Push-button Lock Handle (refer to page 2)

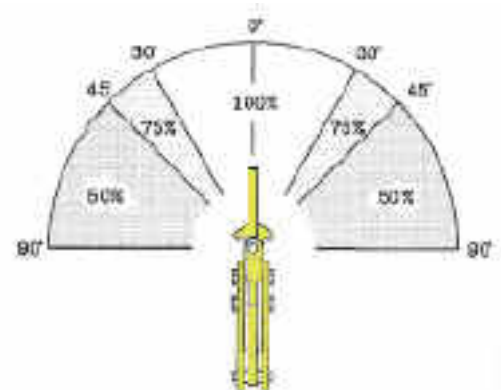


Figure A

	1/2 & 1 Ton AVL-Univ	1/2 & 1 Ton VL-Univ	2 & 3 Ton VL-Univ		4 & 6 Ton VL-Univ			8 & 10 Ton VL-Univ		
A	0 - 7/8"	0 - 1 3/8"	0 - 1 5/8"	1 1/2 - 2 3/4"	0 - 2 1/8"	2 - 3 3/4"	3 3/4 - 5 1/2"	0 - 2 5/8"	2 1/2 - 4 1/2"	4 1/2 - 6 1/2"
B	2 3/4"	2 3/4"	4 1/8"	4 1/8"	4 5/8"	4 5/8"	4 5/8"	5 3/8"	5 3/8"	5 3/8"
C	7"	7"	9 1/8"	9 1/8"	11 5/8"	11 5/8"	11 5/8"	13 1/4"	13 1/4"	13 1/4"
D MAX	13"	13"	17 3/8"	17 3/8"	21 3/8"	21 3/8"	21 3/8"	24 3/8"	24 3/8"	24 3/8"
E	2 1/4"	2 1/4"	3"	3"	3 1/2"	3 1/2"	3 1/2"	4"	4"	4"
F	5 5/8"	5 7/8"	8 3/8"	9 1/2"	10"	11 5/8"	13 1/2"	11 1/8"	13"	15 1/8"
G	2 1/2"	2 1/2"	3 3/8"	3 3/8"	4 1/4"	4 1/4"	4 1/4"	5"	5"	5"
H	1 3/4"	1 3/4"	2 1/2"	2 1/2"	2 3/4"	2 3/4"	2 3/4"	3 5/8"	3 5/8"	3 5/8"
J	1/2"	1/2"	3/4"	3/4"	1"	1"	1"	1 1/8"	1 1/8"	1 1/8"
K	1/2"	1/2"	5/8"	5/8"	3/4"	3/4"	3/4"	1"	1"	1"
L	3"	3"	4"	4"	5"	5"	5"	5 5/8"	5 5/8"	5 5/8"
WT	1/2T/11 lbs. 1T/12 lbs.	1/2T/11 lbs. 1T/12 lbs.	2T/26 lbs. 3T/28 lbs.	2T/28 lbs. 3T/29 lbs.	4T/45 lbs. 6T/48 lbs.	4T/48 lbs. 6T/52 lbs.	4T/52 lbs. 6T/56 lbs.	8T/78 lbs. 10T/80 lbs.	8T/80 lbs. 10T/82 lbs.	8T/82 lbs. 10T/85 lbs.

	12 Ton VL-Univ			16 Ton VL-Univ			20 Ton VL-Univ		
A	1/2 - 3 1/8"	3 - 5 1/4"	5 - 7 1/4"	1/2 - 3 1/2"	3 1/4 - 5 3/4"	5 1/2 - 8"	1/2 - 4 1/4"	4 - 7"	7 - 10"
B	6 1/4"	6 1/4"	6 1/4"	8 3/8"	8 3/8"	8 3/8"	8 3/8"	8 3/8"	8 3/8"
C	16 3/8"	16 3/8"	16 3/8"	21 1/2"	21 1/2"	21 1/2"	21 1/2"	21 1/2"	21 1/2"
D MAX	30 3/4"	30 3/4"	30 3/4"	38 3/8"	38 3/8"	38 3/8"	39 3/8"	39 3/8"	39 3/8"
E	4"	4"	4"	5 5/8"	5 5/8"	5 5/8"	5 5/8"	5 5/8"	5 5/8"
F	12 1/2"	14 5/8"	16 5/8"	18 1/2"	20 7/8"	23"	19"	21 3/4"	24 3/4"
G	6"	6"	6"	7"	7"	7"	6 1/8"	6 1/8"	6 1/8"
H	3 3/8"	3 3/8"	3 3/8"	5 1/8"	5 1/8"	5 1/8"	5 1/8"	5 1/8"	5 1/8"
J	1 5/8"	1 5/8"	1 5/8"	2"	2"	2"	2"	2"	2"
K	1"	1"	1"	1 1/2"	1 1/2"	1 1/2"	1 1/2"	1 1/2"	1 1/2"
L	7 1/8"	7 1/8"	7 1/8"	8 5/8"	8 5/8"	8 5/8"	8 5/8"	8 5/8"	8 5/8"
WT	118 lbs.	122 lbs.	126 lbs.	310 lbs.	325 lbs.	348 lbs.	320 lbs.	340 lbs.	360 lbs.

Note: Specifications are subject to change without notice.

